

Features

- 25A switching capability
- Contact arrangement:1A
- Plastic sealed type and Flux proofed type
- UL insulation system:Class F
- Environment-friendly product(RoHS compliant)
- Outline Dimensions:(30.4×15.9×25.1)mm
- Main application:Household appliances



CHARACTERISTICS

Specifications	Item		
Contact Data	Contact arrangement		1A
	Contact resistance(initial)		≤100mΩ(6VDC 1A)
	Contact material		AgSnO ₂
Rated value	Rated load(Resistance load)		25A 250VAC/30VDC 20A 250VAC/30VDC
	Max.switching voltage		277VAC/30VDC
	Max.switching current		32A
	Max.switching capacity		6250VA/750W
	Min.allowing load		5VDC 100mA
Electrical performance	Insulation resistance(initial)		1000MΩ(500VDC)
	Dielectric strength (initial)	Between open contacts	1000VAC, 1min
		Between coil&contacts	4500VAC, 1min
	Operate time		≤20ms
	Release time		≤10ms
Mechanical performance	Shock resistance	Functional	98m/s ² (10g)
		Destructive	980m/s ² (100g)
	Vibration resistance		10Hz~55Hz 1.5mm DA
Endurance	Mechanical		2×10 ⁶ ops
	Electrical(Room temperature)		25A 250VAC/30VDC 5×10 ⁴ ops(ON/OFF=1s/9s) 2HP 250VAC 5×10 ⁴ ops(ON/OFF=1s/9s)
Operate condition	Ambient temperature		-40℃~85℃
	Humidity		5% to 90%
Termination			PCB
Unit weight			Approx.23g
Construction			Plastic sealed,Flux proofed

COIL DATA(23°C)

Nominal Voltage	Operate Voltage VDC	Release Voltage VDC	Rated Current (±10%)	Coil Resistance (±10%)	Nominal Power	Max Voltage
DC 5V	≤3.75	≥0.25	180mA	27.8Ω	900mW	DC 6.5V
DC 6V	≤4.50	≥0.30	150mA	40Ω		DC 7.8V
DC 9V	≤6.75	≥0.45	100mA	90Ω		DC 11.7V
DC 12V	≤9.00	≥0.60	75mA	160Ω		DC 15.6V
DC 15V	≤11.25	≥0.75	60mA	250Ω		DC 19.5V
DC 18V	≤13.50	≥0.90	50mA	360Ω		DC 23.4V
DC 24V	≤18.00	≥1.20	37.5mA	640Ω		DC 31.2V

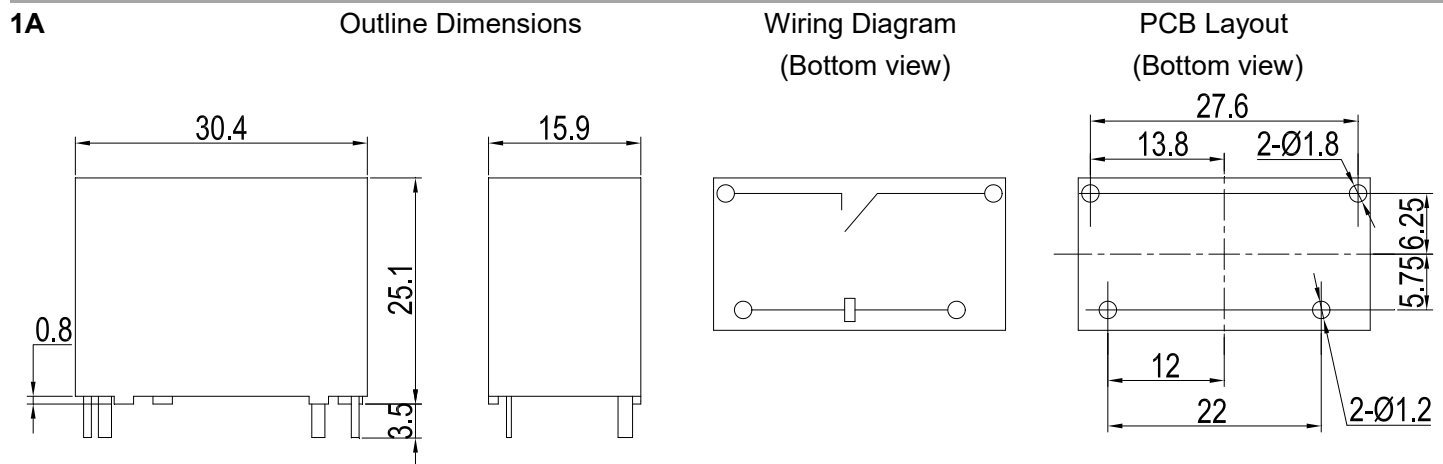
ORDERING INFORMATION

W20 -1A S T -XXX DC12V

- ① Type
- ② Contact arrangement:1A=1 open contacts
- ③ Construction(1):Nil=Flux proofed,S=Plastic sealed
- ④ Contact material:T=AgSnO₂
- ⑤ Customer special code:numbers or letters denote customer's requirements
- ⑥ Coil specification:DC5/6/9/12/15/18/24V

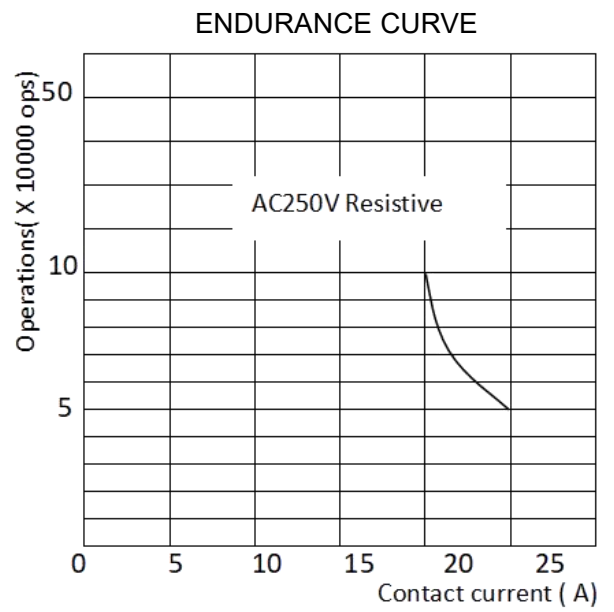
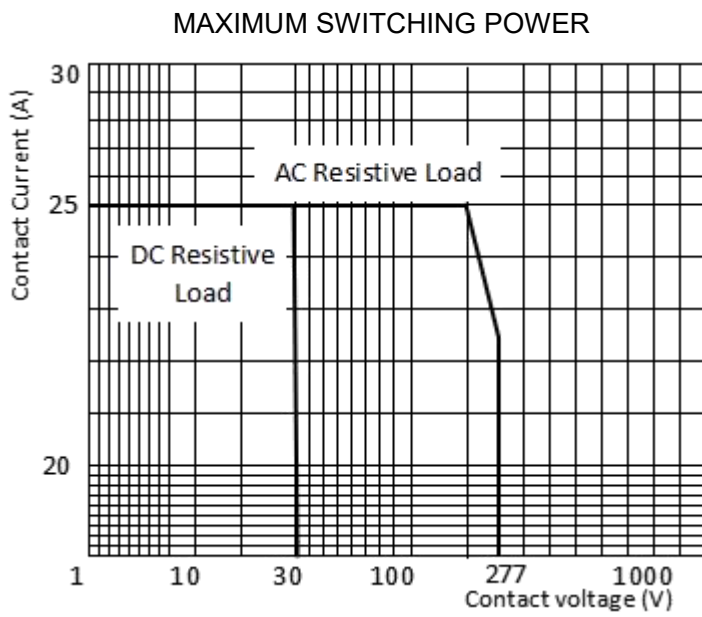
- (1) When used in clean environment(excluding H₂S,SO₂,NO₂,dust and other pollutants), it is recommended to choose the Flux proofed type;When used in unclean environment(contain H₂S,SO₂,NO₂,dust and other pollutants), it is recommended to choose the Plastic sealed.

OUTLINE DIMENSIONS,WIRING DIAGRAM AND PC BOARD LAYOUT(Unit:mm)



- Remark: (1) In case of no tolerance shown in outline dimension:outline dimension≤1mm,tolerance should be±0.2mm;outline dimension >1mm and <5mm,tolerance should be ±0.3mm;outline dimension≥5mm,tolerance should be ±0.5mm.
 (2) The tolerance without indicating for PCB layout is always ±0.1mm.

■ PERFORMANCE CURVES



■ NOTICE

- ① In order to maintain the initial performance parameters of the relay, please be careful not to drop the product;
- ② The specification is for reference only. Specifications subject to change without notice.